



OSRAM CLASSIC



Benefits and features:

- Effective, reliable quality light at favourable prices (EMH = Economy Metal Halide).
- The most popular metal halide lamps available as basic version: powerful and long-lasting, featuring the traditional qualities that have come to characterize OSRAM.
- Thanks to their excellent price performance ratio, the lamps are particularly suitable for application in discotheques, clubs and retail stores or for small stages.
- Available as single ended and double ended version.

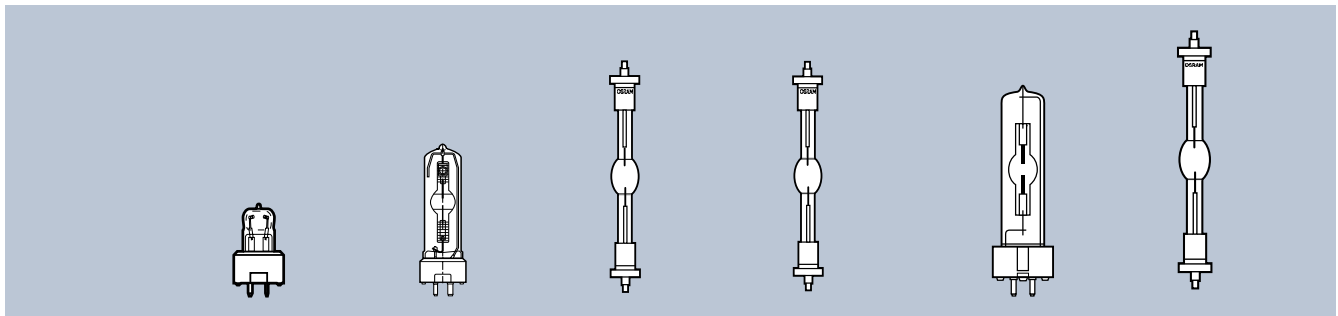
OSRAM CLASSIC – the economic alternative.

Classic quality and top performance at a reasonable price.

SEE THE WORLD IN A NEW LIGHT



TECHNICAL DATA



	EMH 150W/SE/70	EMH 250W/SE/80	EMH 575W/DE/60	EMH 575W/DE/75	EMH 575/SE/75	EMH 1200W/DE/60
Comparable to	HTI 150W	HSD 250W/80	HMI 575W/DXS	HMI 575W/DXS*	HSR 575W/72	HMI 1200W/DXS
Wattage (W)	150	250	575	575	575	1,200
Voltage (V)	90	94	95	95	95	100
Average life (h)	500	2000	750	750	750	750
Colour temperature (K)	7,000	8,000	6,000	7,500	7,500	6,000

COMPARISON

PROFESSIONAL

Highest, maximum light output
 Very narrow colour spread, highest CRI, natural colours
 Minimal colour drift, highest maintenance
 Highest average service life
 XS pinch protection technology (XS = extreme Seal)
 Design- In support, technical assistance
 Made in Europe

CLASSIC

Light output High output, 10% below Premium
Colour temperature/Colour rendering Low colour spread
Performance/over lifetime Low colour drift, high maintenance
Lifetime 75% of Professional
Thermal resistance Standard pinching technology
Technical support Technical assistance
Origin Made in China

* Available soon in a higher color temperature.

PACKAGING EXAMPLE



SEE THE WORLD IN A NEW LIGHT

